



www.masterlockatwinch.com  
Order: 866-835-0628  
Phone: 712-338-2974  
FAX: 800-245-7569  
E-MAIL: masterlock@cyclecountry.com

# **KUBOTA WINCH MOUNT KIT**

## **Installation Instructions**

**KIT NUMBER: 20-9012**



www.masterlockatwinch.com  
Order: 866-835-0628  
Phone: 712-338-2974  
FAX: 800-245-7569  
E-MAIL: masterlock@cyclecountry.com

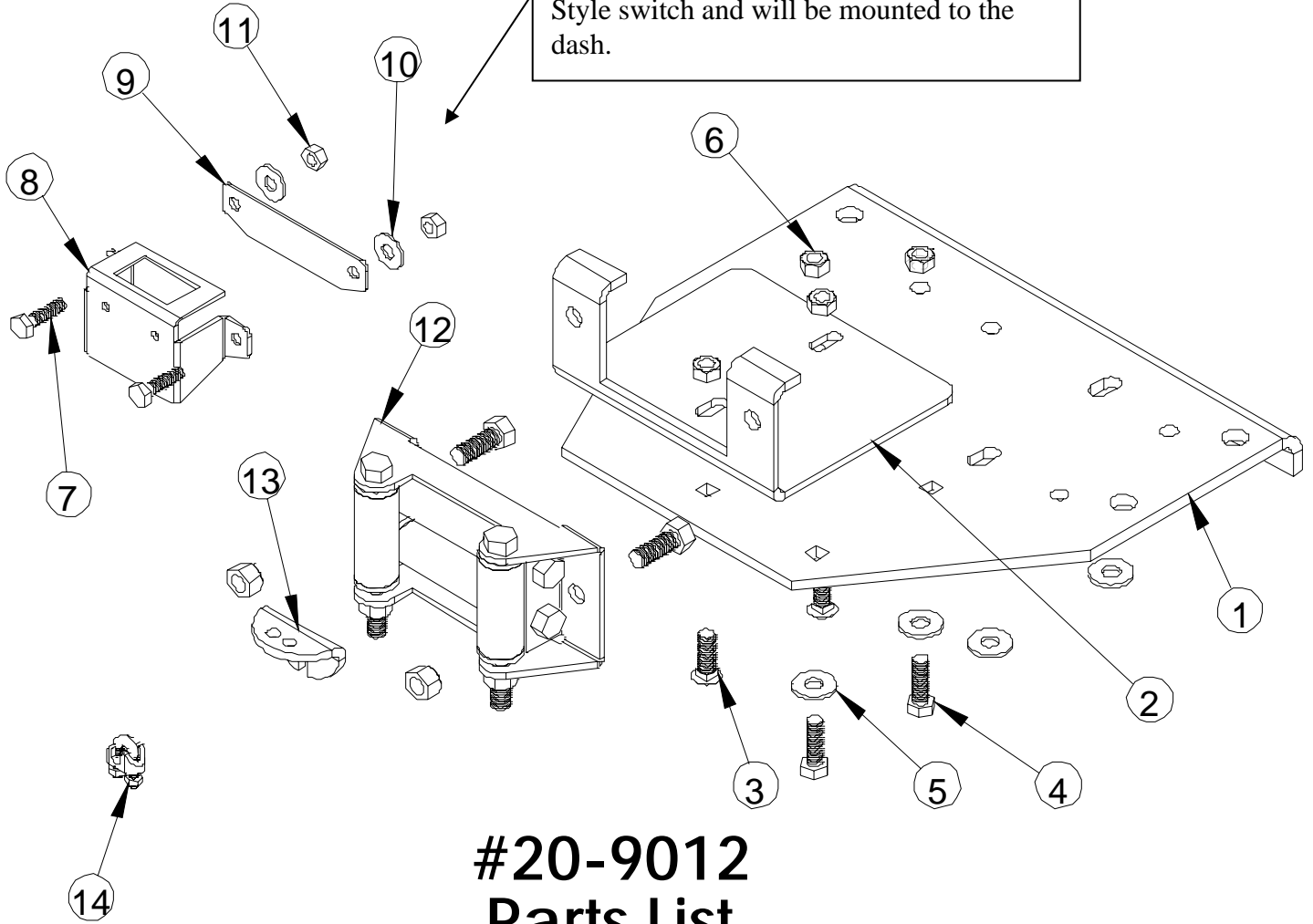
## **ONE YEAR LIMITED WINCH MOUNT WARRANTY**

For the period of one year from the purchase date Master Lock will replace for the original purchaser, free of charge, any part or parts, when found, upon examination by Master Lock, to be defective in material, workmanship, or both.

All transportation cost incurred by the purchaser in submitting the material to Master Lock for replacement under this warranty, must be borne by the purchaser. If Master Lock determines that the product must be returned to the factory for credit please call 1-866-835-0628 for an RMA number and shipping instructions.

The warranty does not apply to parts that have been damaged by accident, alteration, abuse, improper lubrication, normal wear, or other causes beyond Master Lock's control.

For use when the Winch has a Rocker Style switch and will be mounted to the dash.



## #20-9012 Parts List

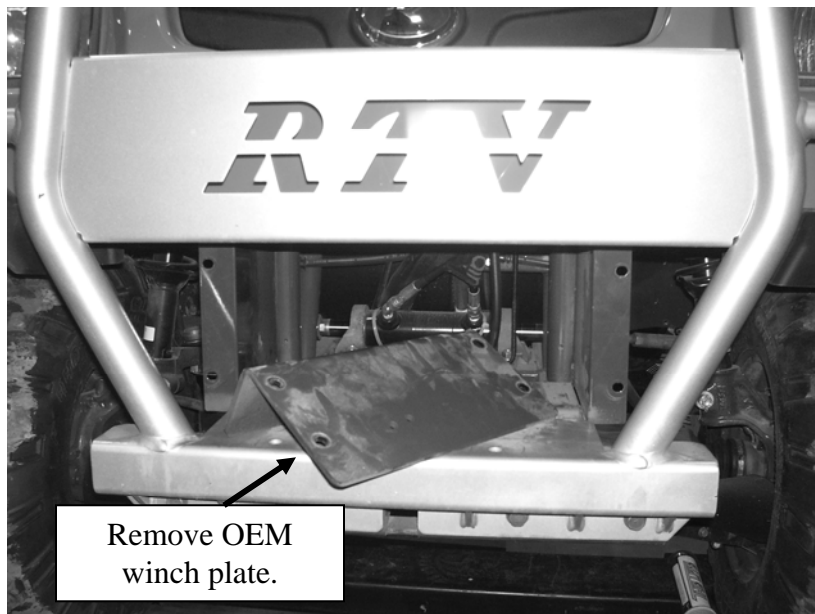
| ITEM NO. | QTY. | PART NO. | DESCRIPTION                   |
|----------|------|----------|-------------------------------|
| 1        | 1    | CYC4944  | Winch Mount Plate             |
| 2        | 1    | CYC5318  | Roller Hawse Mount Plate      |
| 3        | 2    | PUR1189  | 5/16" x 1" Carriage Bolt      |
| 4        | 2    | PUR1155  | 5/16" x 1" Bolt               |
| 5        | 4    | PUR1244  | 5/16" Flat Washer             |
| 6        | 4    | PUR1275  | 5/16" Nylock Nut              |
| 7        | 2    | PUR1118  | 1/4" x 1" Bolt                |
| 8        | 1    | CYC4957  | Winch Mount Switch Bracket    |
| 9        | 1    | CYC4958  | Winch Switch Mount Back Plate |
| 10       | 2    | PUR1237  | 1/4" Flat Washer              |
| 11       | 2    | PUR1265  | 1/4" Nylock Nut               |
| 12       | 1    | 11044    | Roller Hawse Assembly         |
| 13       | 1    | CYC0882  | Cable Stop                    |
| 14       | 1    | PUR1606  | 3/16" Cable Clamp             |

**Refer to the winch manual for winch mounting instructions.**

**KIT #20-9012**

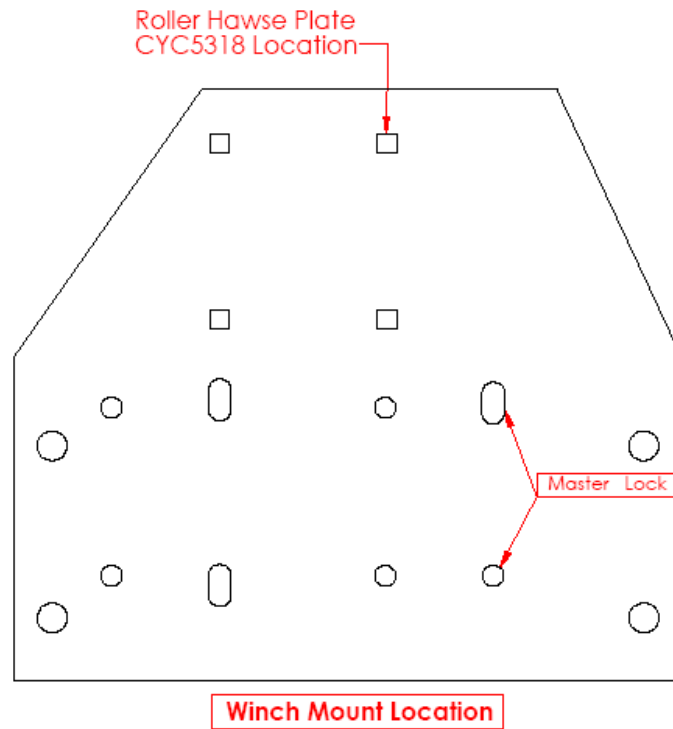
**WINCH MOUNT INSTALLATION INSTRUCTIONS**

1. Remove Front Plastic Guard and OEM Winch Plate. The Bolts and Nuts will be reused later. *See pictures below*

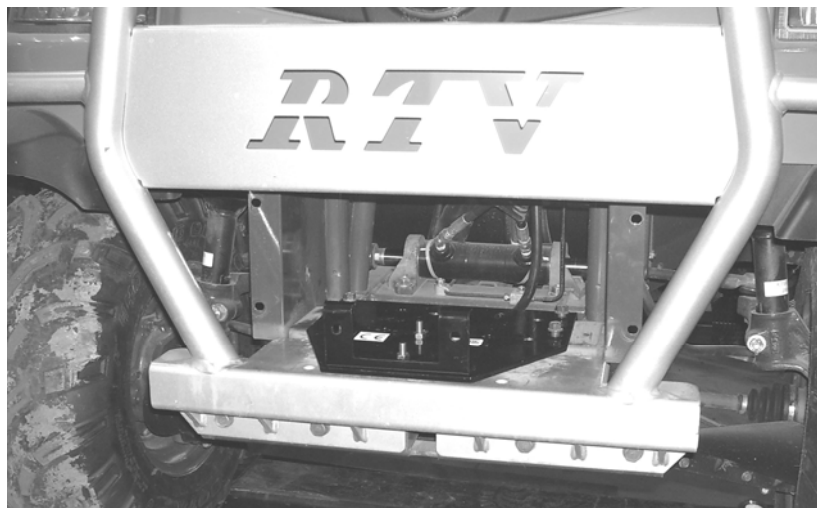


2. Use the drawing below to determine the mounting location for the CYC5318 Roller Hawse Mount Plate for your Winch application. Attach the Roller Hawse Mount Plate to the Winch Mount Plate using included 5/16" x 1" Carriage Bolts and Nylock Nuts.

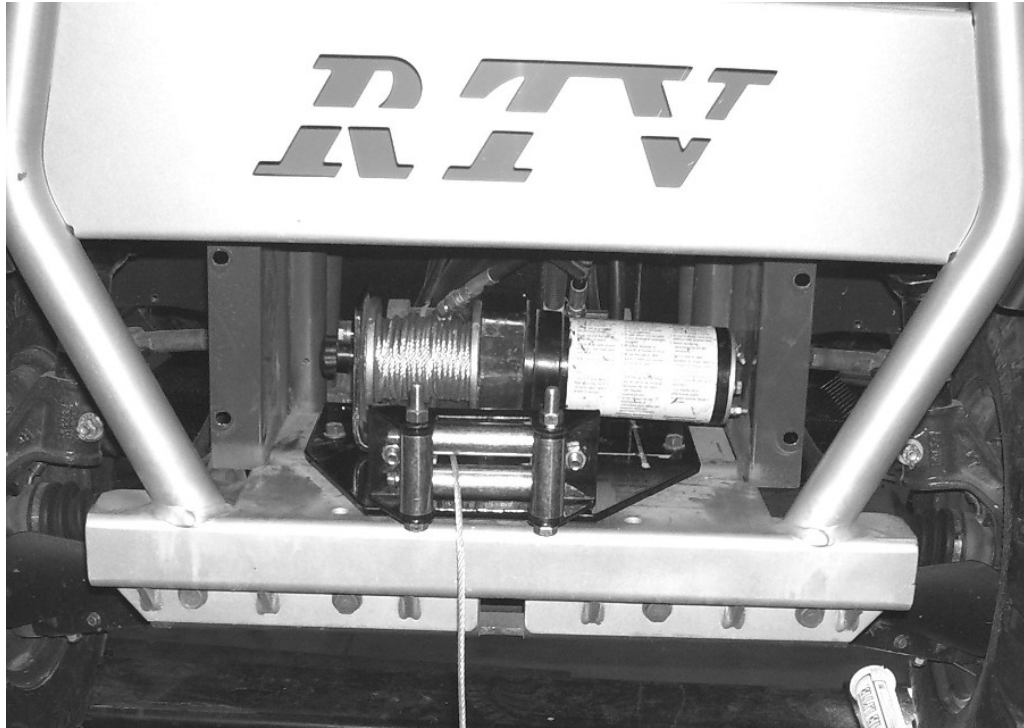
Top View



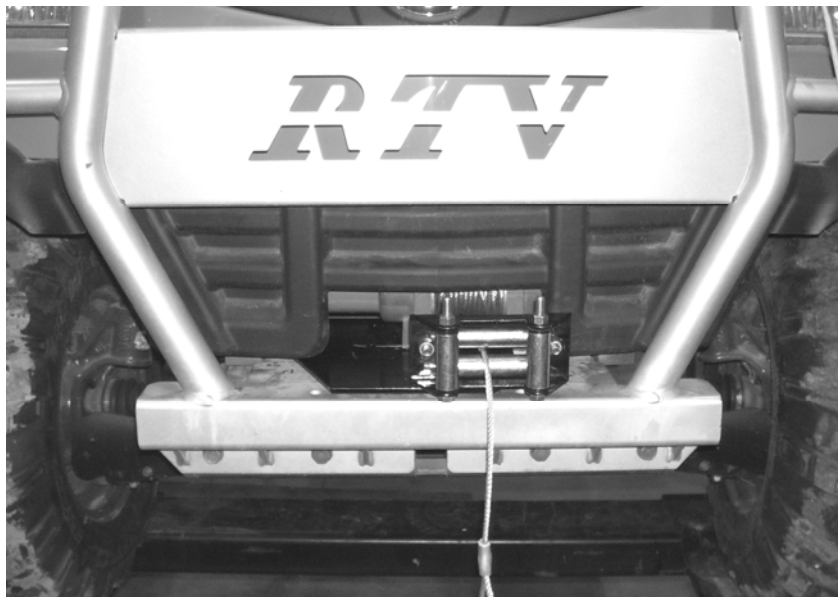
3. Install the Winch Mount Plate assembly into place using hardware that was removed from the OEM Winch Plate.



4. Install your Winch to the Winch Mount Plate using the guide shown in Step 2.



5. Remove one of the long rollers and the two side rollers and feed the winch cable through the Roller Hawse. Reinstall the rollers and be sure rollers move freely.
6. Attach the Roller Hawse to the Roller Hawse Mount Plate using the bolts and nuts provided with the Winch. **Tighten all hardware.**
7. Reinstall Front Plastic Guard.



**\*CAUTION**

**BE AWARE OF WHEN THE CABLE STOP CONTACTS THE ROLLER HAWSE AS CABLE IS WOUND IN.  
FAILURE TO RELEASE MAY CAUSE DAMAGE TO WINCH PARTS OR TO THE ATV.**

**When using the winch to raise and lower a blade a cable stop must be installed.**

Carefully raise the blade until the top of the push tube's are no closer than 1" anywhere on the ATV. Place the Cable Stop onto the Winch Cable up against the Winch Hawse. Secure the Cable Stop to the Winch Cable using the Cable Clamp Assembly as shown in the pictures below.

