



www.masterlockatvwinch.com
Order: 866-835-0628
Phone: 712-338-2974
FAX: 800-245-7569
E-MAIL: masterlock@cyclecountry.com

ARCTIC CAT

WINCH MOUNT KIT

INSTALLATION MANUAL

KIT NUMBER: 20-6070



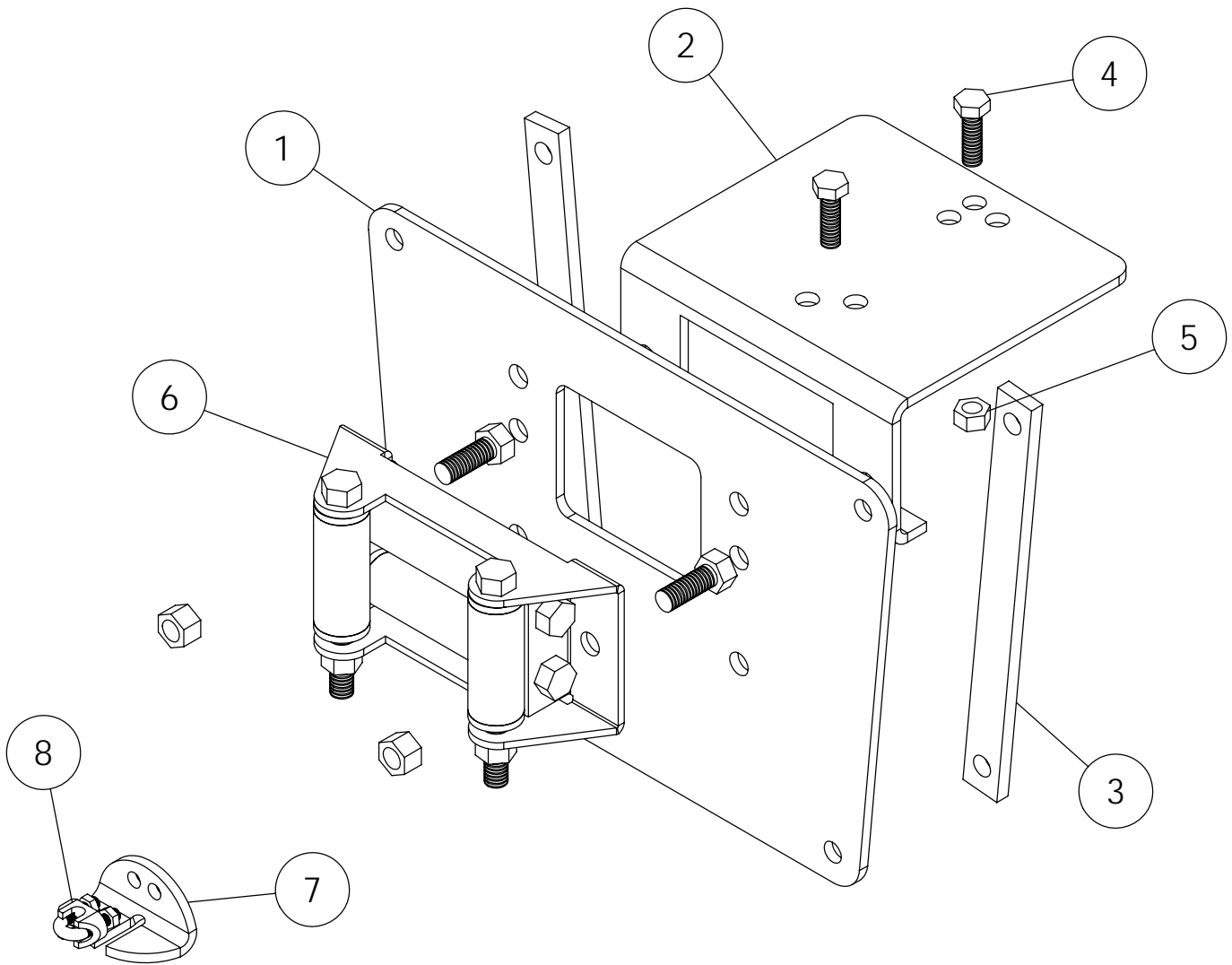
www.masterlockatwinch.com
Order: 866-835-0628
Phone: 712-338-2974
FAX: 800-245-7569
E-MAIL: masterlock@cyclecountry.com

ONE YEAR LIMITED WINCH MOUNT WARRANTY

For the period of one year from the purchase date Master Lock will replace for the original purchaser, free of charge, any part or parts, when found, upon examination by Master Lock, to be defective in material, workmanship, or both.

All transportation cost incurred by the purchaser in submitting the material to Master Lock for replacement under this warranty, must be borne by the purchaser. If Master Lock determines that the product must be returned to the factory for credit please call 1-866-835-0628 for an RMA number and shipping instructions.

The warranty does not apply to parts that have been damaged by accident, alteration, abuse, improper lubrication, normal wear, or other causes beyond Master Lock's control.

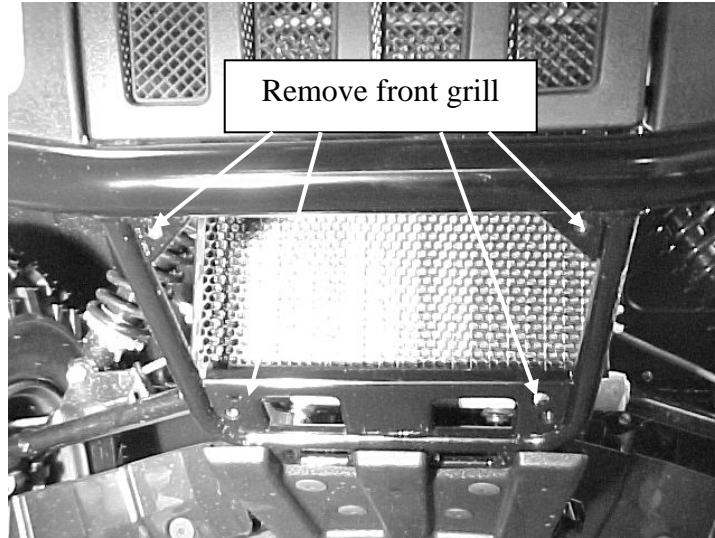


#20-6070 Parts List

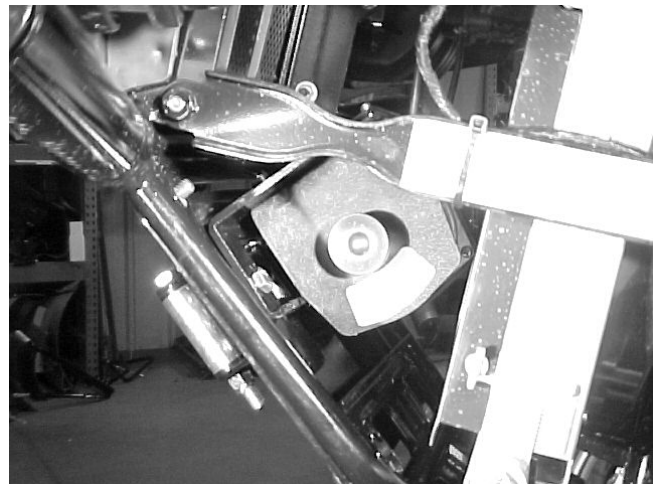
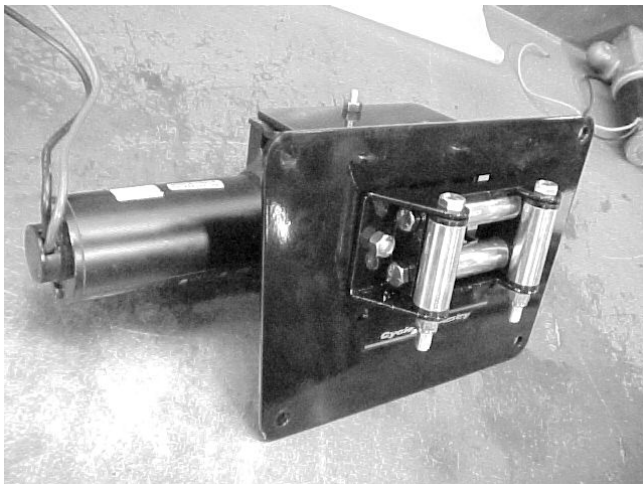
ITEM NO.	QTY.	PART NO.	DESCRIPTION
1	1	CYC3704	Winch Mount
2	1	CYC5246	Roller Hawse Plate
3	2	CYC3707	Spacer Bar
4	2	PUR1221	5/16" x 1" Bolt
5	2	PUR1275	Nut 5/16" Nylock
6	1	11044	Roller Hawse Assembly
7	1	CYC0882	Cable Stop
8	1	PUR1606	3/16" Cable Clamp

WINCH INSTALLATION INSTRUCTIONS

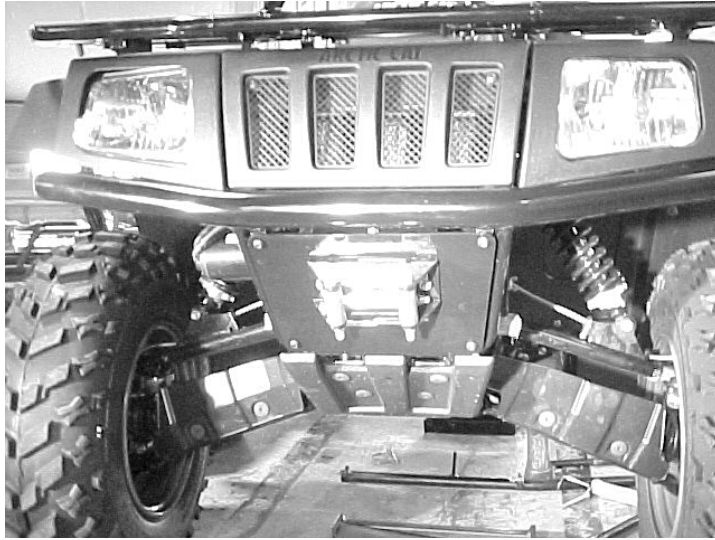
1. Remove the front grill from ATV and retain existing bolts for use with the winch kit.



2. Align the four holes on the winch plate and the spacer bars to the existing grill mount holes and secure the winch plate with the existing grill mount bolts.
3. Attach the roller hawse mount plate to the backside of the winch plate as shown in the parts list and place the roller hawse assembly on the front side of the winch plate and attach with two 3/8" x 1" bolts supplied with the kit.
4. Fasten the winch to the roller hawse mount plate with two 5/16" x 1" bolts after removing one of the long rollers and the two side rollers of the roller hawse and feeding the winch cable through the roller hawse. Reinstall the rollers and be sure rollers move freely. The winch motor needs to be on the **RIGHT** side of the ATV.



See Winch Wiring Instructions supplied with the Winch for proper installation.



***CAUTION**

**BE AWARE OF WHEN THE CABLE STOP CONTACTS THE ROLLER HAWSE AS CABLE IS WOUND IN.
FAILURE TO RELEASE MAY CAUSE DAMAGE TO WINCH PARTS OR TO THE ATV.**

When using the winch to raise and lower a blade a cable stop must be installed.

Carefully raise the blade until the top of the push tube's are no closer than 1" anywhere on the ATV. Place the Cable Stop onto the Winch Cable up against the Winch Hawse. Secure the Cable Stop to the Winch Cable using the Cable Clamp Assembly as shown in the pictures below.

