



www.masterlockatwinch.com
Order: 866-835-0628
Phone: 712-338-2974
FAX: 800-245-7569
E-MAIL: masterlock@cyclecountry.com

Arctic Cat

WINCH KIT INSTALLATION MANUAL

KIT NUMBER: 20-6020



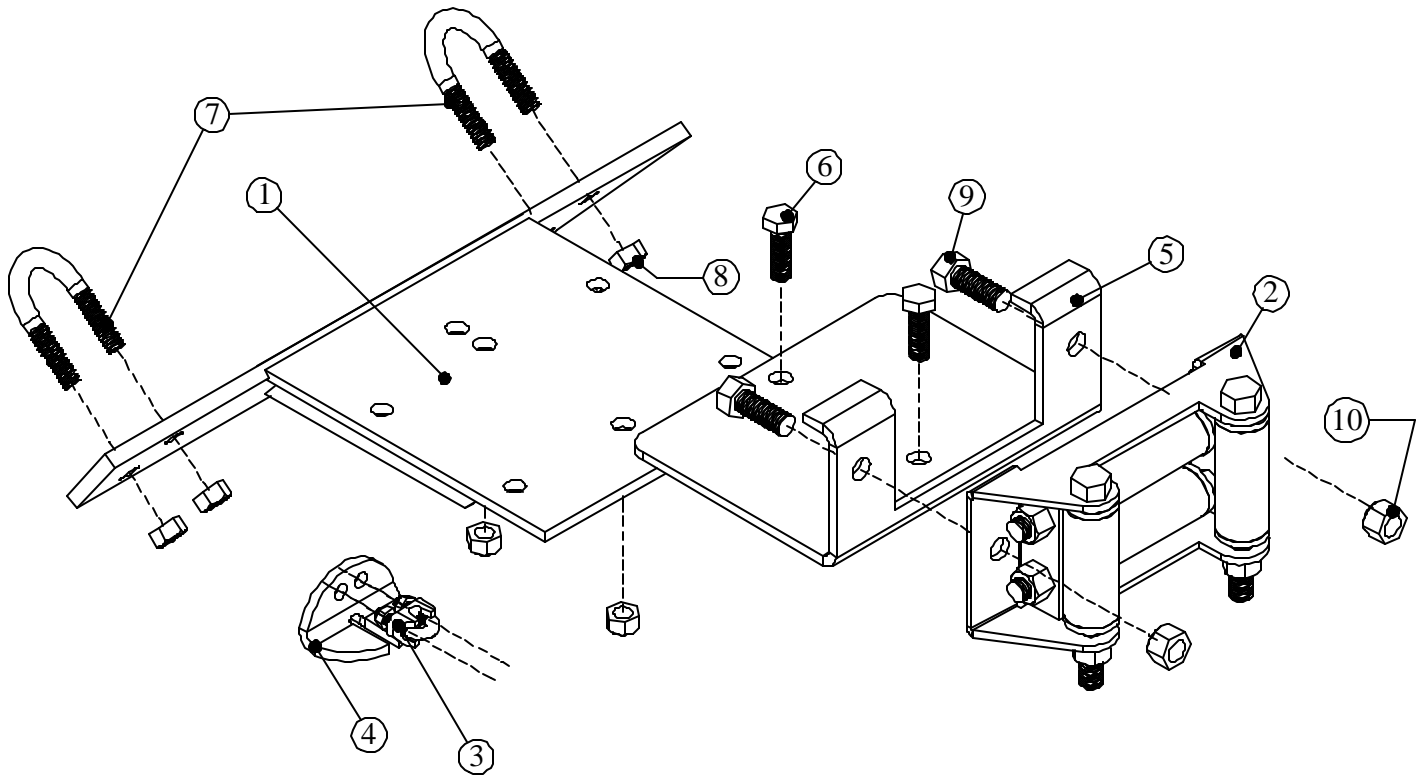
www.masterlockatwinch.com
Order: 866-835-0628
Phone: 712-338-2974
FAX: 800-245-7569
E-MAIL: masterlock@cyclecountry.com

ONE YEAR LIMITED WINCH MOUNT WARRANTY

For the period of one year from the purchase date Master Lock will replace for the original purchaser, free of charge, any part or parts, when found, upon examination by Master Lock, to be defective in material, workmanship, or both.

All transportation cost incurred by the purchaser in submitting the material to Master Lock for replacement under this warranty, must be borne by the purchaser. If Master Lock determines that the product must be returned to the factory for credit please call 1-866-835-0628 for an RMA number and shipping instructions.

The warranty does not apply to parts that have been damaged by accident, alteration, abuse, improper lubrication, normal wear, or other causes beyond Master Lock's control.

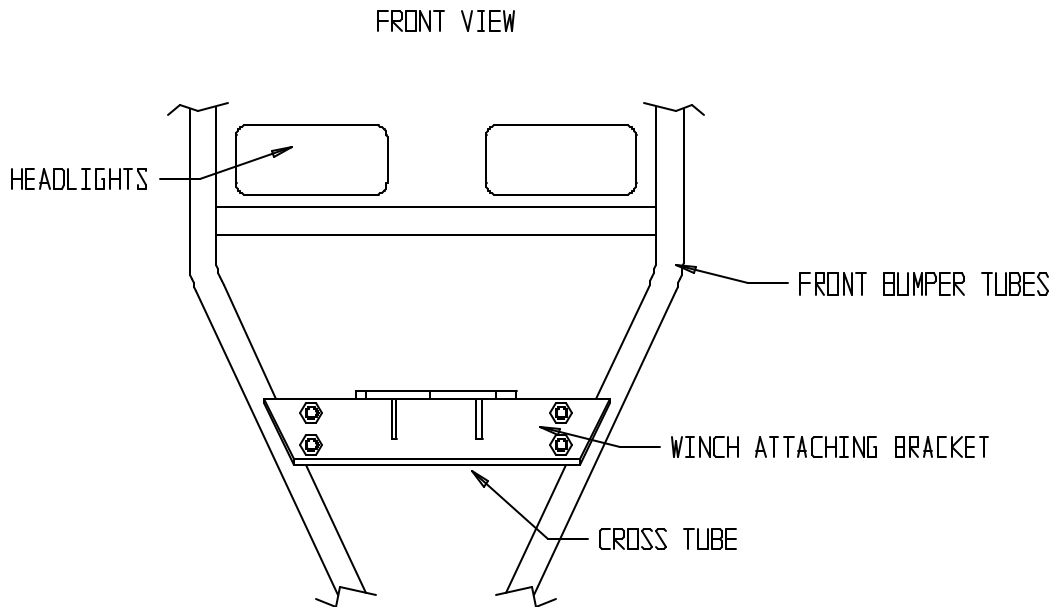


20-6020
Winch Mount Kit
Parts List

ITEM NO.	QTY.	PART NO.	DESCRIPTION
1	1	WNA200	Winch Mount Plate
2	1	11044	Roller Hawse Assembly
3	1	CC316	3/16" Cable Clamp
4	1	9037	Cable Stop
5	1	9039	Roller Hawse Mount Plate
6	2	B516-1	5/16" x 1" Bolt
7	2	UB516-1142	5/16" x 1-1/4" x 2" U-Bolt
8	6	LN516NY	5/16" Nylock Nut
9	2	B38-1	3/8" x 1" Bolt
10	2	LN38NY	3/8" Nylock Nut

Refer to the winch manual for winch mounting instructions.

1. Place the Winch Mount Plate against the lower cross tube on the front bumper tubes. See diagram below. Center the Winch Mount Plate on the cross tube and secure the Winch Mount Plate to the ATV using the two 5/16" U-bolts. See the diagram below.



Remove one of the long rollers and feed the winch cable through the roller hawse. Next reinstall the roller. Be sure roller moves freely. Mount the Hawse Mount between the Winch and Winch Mount Plate.

When using the winch to raise and lower a blade a cable stop must be installed.

Carefully raise the blade until the top of the push tube's are no closer than 1" anywhere on the ATV. Place the Cable Stop onto the Winch Cable up against the Winch Hawse. Secure the Cable Stop to the Winch Cable using the Cable Clamp Assembly as shown in the pictures below.

