



www.masterlockatvwinch.com  
Order: 866-835-0628  
Fax: 800-245-7569  
E-MAIL: masterlock@cyclecountry.com

# WINCH MOUNT KIT For KAWASAKI ATVs

## INSTALLATION INSTRUCTIONS

# KIT NUMBER: 20-2290



www.masterlockatwinch.com

Order: 866-835-0628

Fax: 800-245-7569

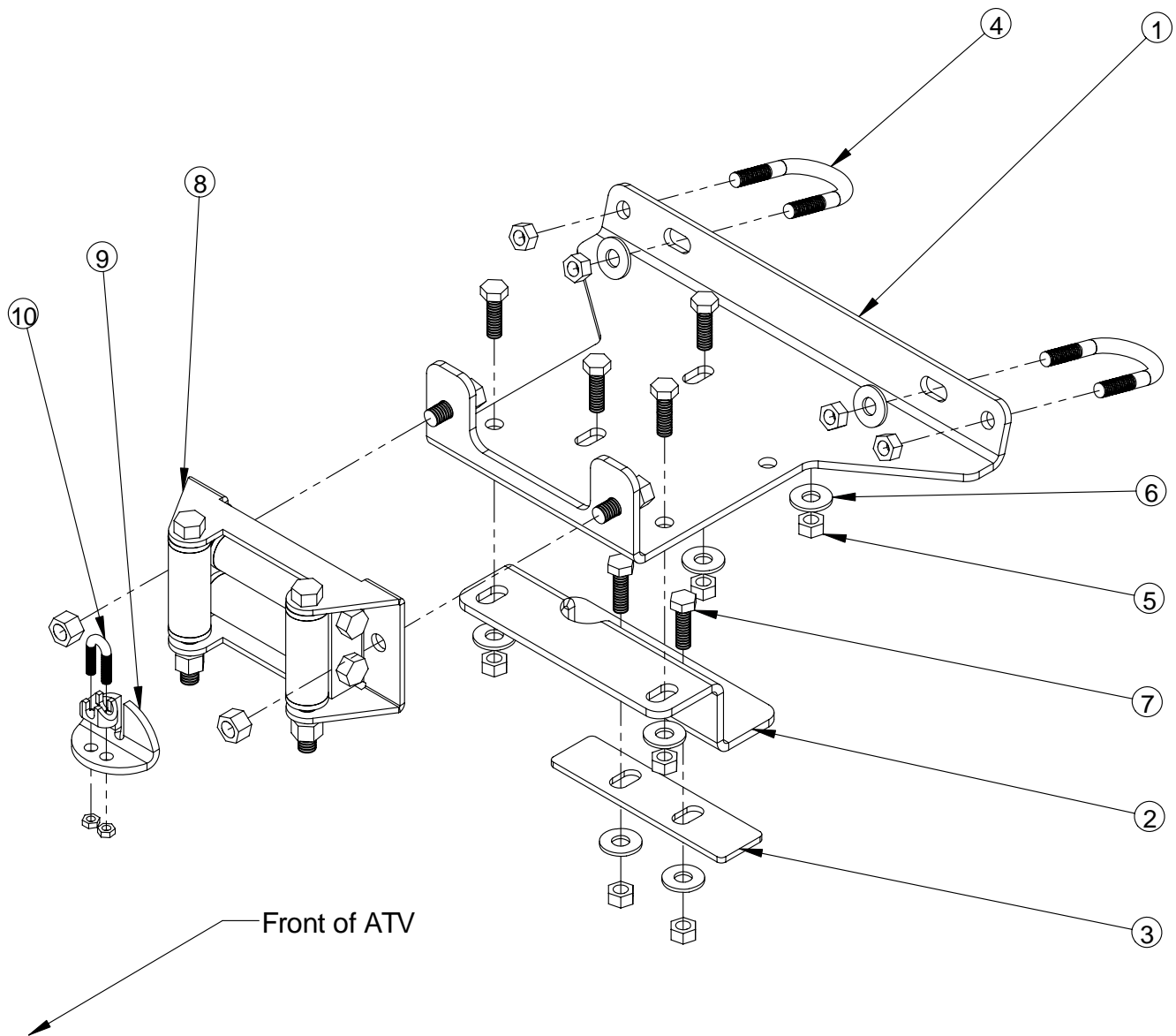
E-MAIL: masterlock@cyclecountry.com

## **ONE YEAR LIMITED WINCH MOUNT WARRANTY**

For the period of one year from the purchase date Master Lock will replace for the original purchaser, free of charge, any part or parts, when found, upon examination by Master Lock, to be defective in material, workmanship, or both.

All transportation cost incurred by the purchaser in submitting the material to Master Lock for replacement under this warranty, must be borne by the purchaser. If Master Lock determines that the product must be returned to the factory for credit please call 1-866-835-0628 for an RMA number and shipping instructions.

The warranty does not apply to parts that have been damaged by accident, alteration, abuse, improper lubrication, normal wear, or other causes beyond Master Lock's control.



## Model Number 20-2290 Parts List

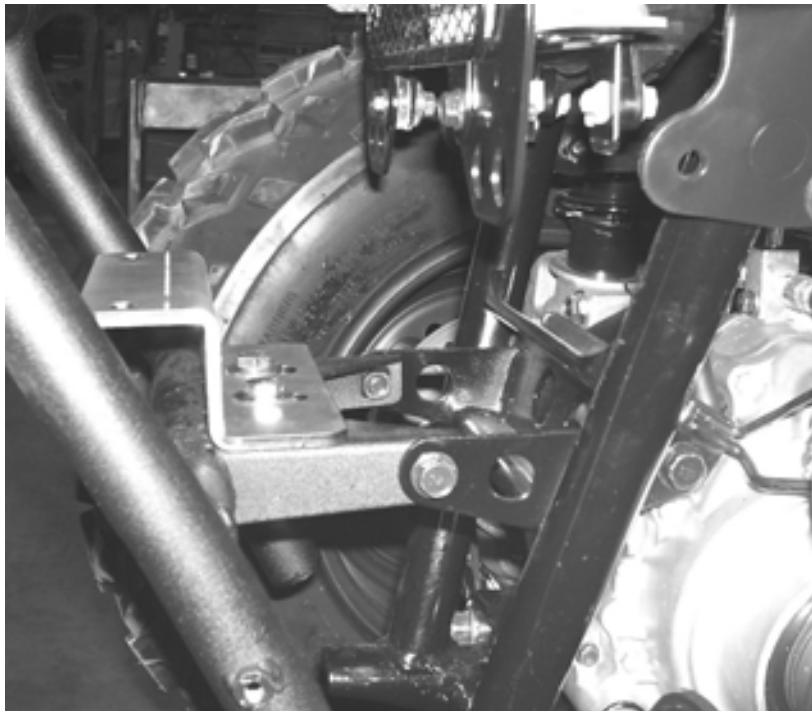
ITEM NO.	QTY.	PART NO.	DESCRIPTION
1	1	CYC1618	Winch Mount Plate
2	1	CYC1619	Brace
3	1	CYC1620	Back Plate
4	2	PUR1419	U-Bolt 5/16" x 1-1/4" x 2"
5	10	PUR1275	Locknut 5/16" Nylock
6	8	PUR1244	Flatwasher 5/16"
7	6	PUR1155	5/16" x 1" Bolt
8	1	20-0030	Roller Hawse Assembly
9	1	CYC0882	Cable Stop
10	1	PUR1606	3/16" Cable Clamp

**Refer to the winch manual for winch mounting instructions.**

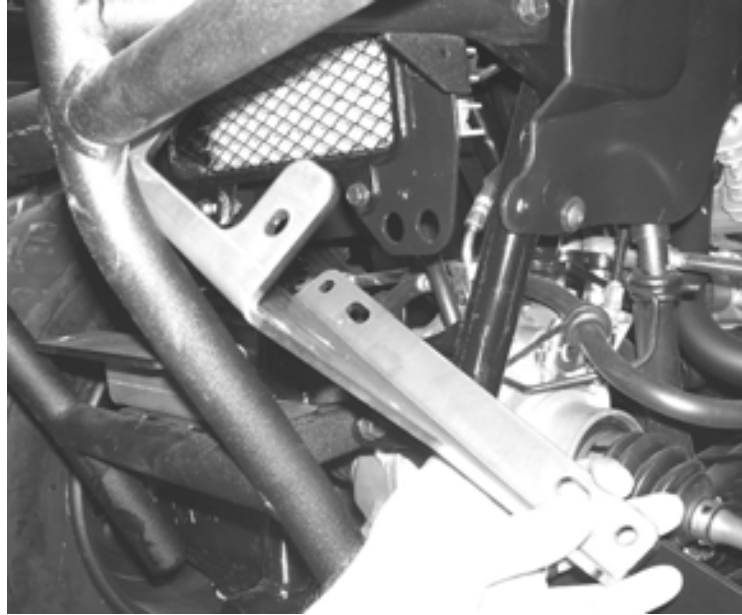
- Read and understand installation steps before beginning installation.
- All directions referring to right and left are when the rider is sitting on the machine.

**WINCH MOUNT INSTALLATION INSTRUCTIONS  
# 20-2290**

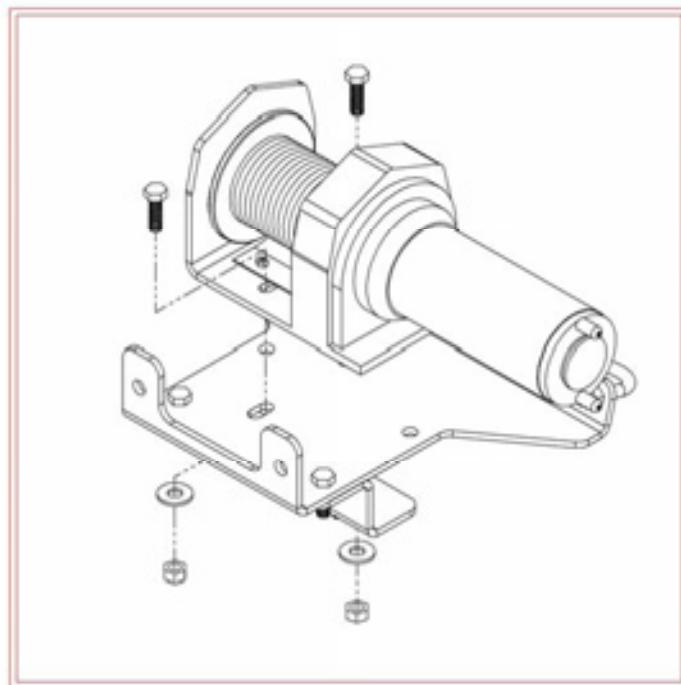
1. Remove the front bumper shroud.
2. Install bracket and back plate (Items 2 & 3) to the location shown on the bumper. Do not tighten at this time as adjustment forward or backward may be required. (See image below )



3. Insert and mount the winch mount plate (Item 3). (See image below )



4. Insert and mount the winch. Adjust the winch and brackets so that the parts align to install the hardware. After mounting the winch, tighten all hardware.



5. Wire the winch according to the manufacturer instructions.
6. Route the winch cable through the roller fairlead and then install the roller fairlead to the winch mount plate. (Depending on the style of fairlead and winch installed, you may be required to insert the mounting bolts before the winch is installed.)
7. Re-install the front bumper shroud.

**\*CAUTION**

**BE AWARE OF WHEN THE CABLE STOP CONTACTS THE ROLLER HAWSE AS CABLE IS WOUND IN.  
FAILURE TO RELEASE MAY CAUSE DAMAGE TO WINCH PARTS OR TO THE ATV.**

**When using the winch to raise and lower a blade a cable stop must be installed.**

Carefully raise the blade until the top of the push tube's are no closer than 1" anywhere on the ATV. Place the Cable Stop onto the Winch Cable up against the Winch Hawse. Secure the Cable Stop to the Winch Cable using the Cable Clamp Assembly as shown in the pictures below.

