

HONDA

WINCH

MOUNT KIT

Installation

Instructions

KIT NUMBER: 20-1090



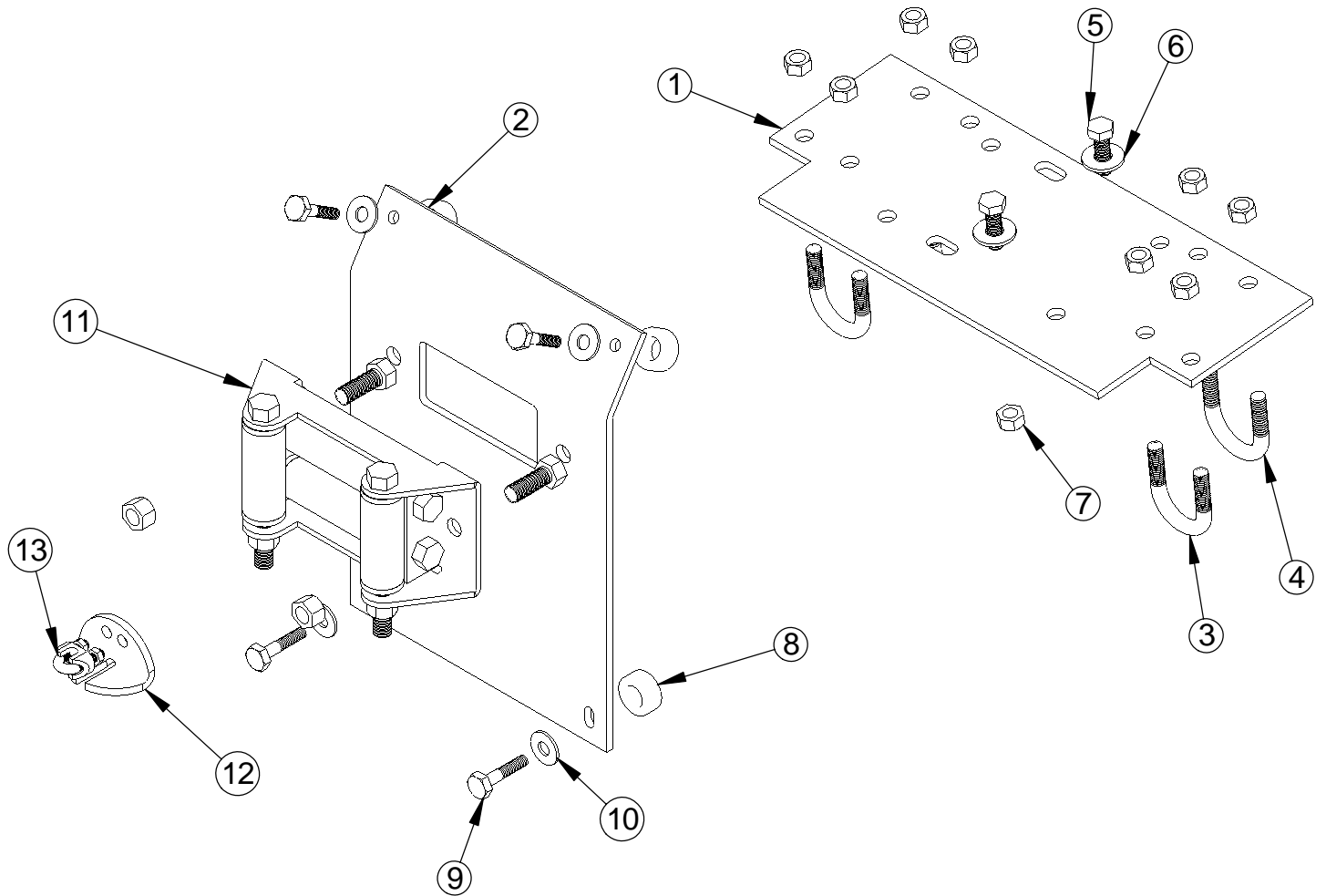
www.masterlockatwinch.com
Order: 866-835-0628
Phone: 712-338-2974
FAX: 800-245-7569
E-MAIL: masterlock@cyclecountry.com

ONE YEAR LIMITED WINCH MOUNT WARRANTY

For the period of one year from the purchase date Master Lock will replace for the original purchaser, free of charge, any part or parts, when found, upon examination by Master Lock, to be defective in material, workmanship, or both.

All transportation cost incurred by the purchaser in submitting the material to Master Lock for replacement under this warranty, must be borne by the purchaser. If Master Lock determines that the product must be returned to the factory for credit please call 1-866-835-0628 for an RMA number and shipping instructions.

The warranty does not apply to parts that have been damaged by accident, alteration, abuse, improper lubrication, normal wear, or other causes beyond Master Lock's control.



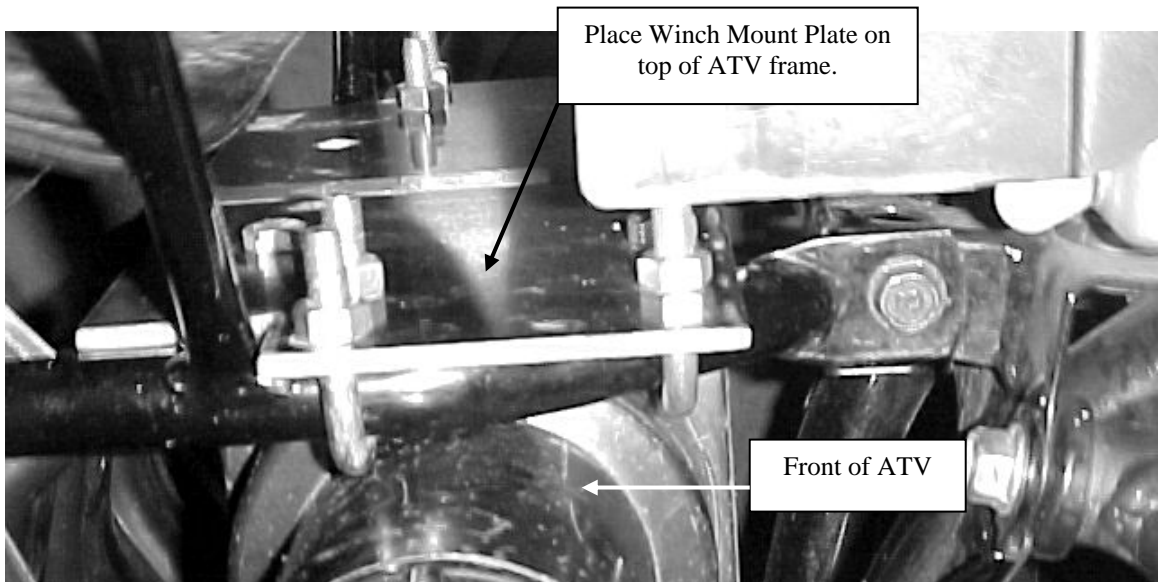
20-1090 Parts List

ITEM NO.	QTY.	PART NO.	DESCRIPTION
1	1	CYC3576	Winch Mount Plate
2	1	CYC3577	Hawse Mount Bracket
3	2	PUR1418	5/16" x 1" x 1-3/4" U-Bolt
4	2	PUR1421	5/16" x 1-1/8" x 1-3/4" U-Bolt
5	2	PUR1155	5/16" x 1" Bolt
6	2	PUR1244	5/16" Flat Washer
7	10	PUR1275	5/16" Nylock Nut
8	4	PUR1411	7/8" Steel Bushing
9	4	PUR1307	6 x 30 Metric Bolt
10	4	PUR1237	1/4" Flat Washer
11	1	11044	Roller Hawse Assembly
12	1	CYC0882	Cable Stop
13	1	PUR1606	3/16" Cable Clamp

Refer to the winch manual for winch mounting instructions.

WINCH MOUNT KIT INSTALLATION INSTRUCTIONS

1. Remove the front Plastic Bumper Guard. Remove the U-Bolts from the Winch Mount Plate and place the Winch Mount Plate on top of the horizontal bumper support tubes as shown in picture below. The U-Bolts will be placed around the tubes and up through the plate and are secured with Nylock Nuts. Tighten Fully. (Pictured Below).



2. Mount the Winch to the underside of the Winch Mount Plate using the mount holes in the plate and the provided bolts. Tighten hardware at this time.
3. Using the two 5/16" x 1" bolts supplied with kit, mount the Winch to the Winch Mount Plate. Be sure that when the Winch is mounted to the ATV, the Winch Motor is on the **RIGHT** side of the machine.
4. Place the front Plastic Bumper Guard back onto the ATV, place the Roller Hawse Mount Bracket against the front Plastic Bumper Guard using the 7/8" Steel Bushings as spacers. Attach using the 6 x 30mm Bolts and Flat Washers. See picture on next page
5. String the Cable through the hole in the Hawse Mount Bracket. Remove one of the long rollers and the two side rollers of the Roller Hawse and feed the winch cable through the Roller Hawse. Reinstall the rollers and be sure rollers move freely.

6. Attach the Roller Hawse to the Hawse Mount Bracket using the 3/8" x 1" Bolts and Nylock Nuts provided. Tighten all hardware.



When using the winch to raise and lower a blade a cable stop must be installed.

Carefully raise the blade until the top of the push tube's are no closer than 1" anywhere on the ATV. Place the Cable Stop onto the Winch Cable up against the Winch Hawse. Secure the Cable Stop to the Winch Cable using the Cable Clamp Assembly as shown in the pictures below.

