



www.masterlockatwinch.com
Order: 866-835-0628
Phone: 712-338-2974
FAX: 800-245-7569
E-MAIL: masterlock@cyclecountry.com

HONDA

WINCH KIT

Installation Instructions

KIT NUMBER: 20-1061

**CUSTOMER MUST RECEIVE A COPY OF THIS INSTALLATION
MANUAL AT TIME OF SALE**



www.masterlockatwinch.com

Order: 866-835-0628

Phone: 712-338-2974

FAX: 800-245-7569

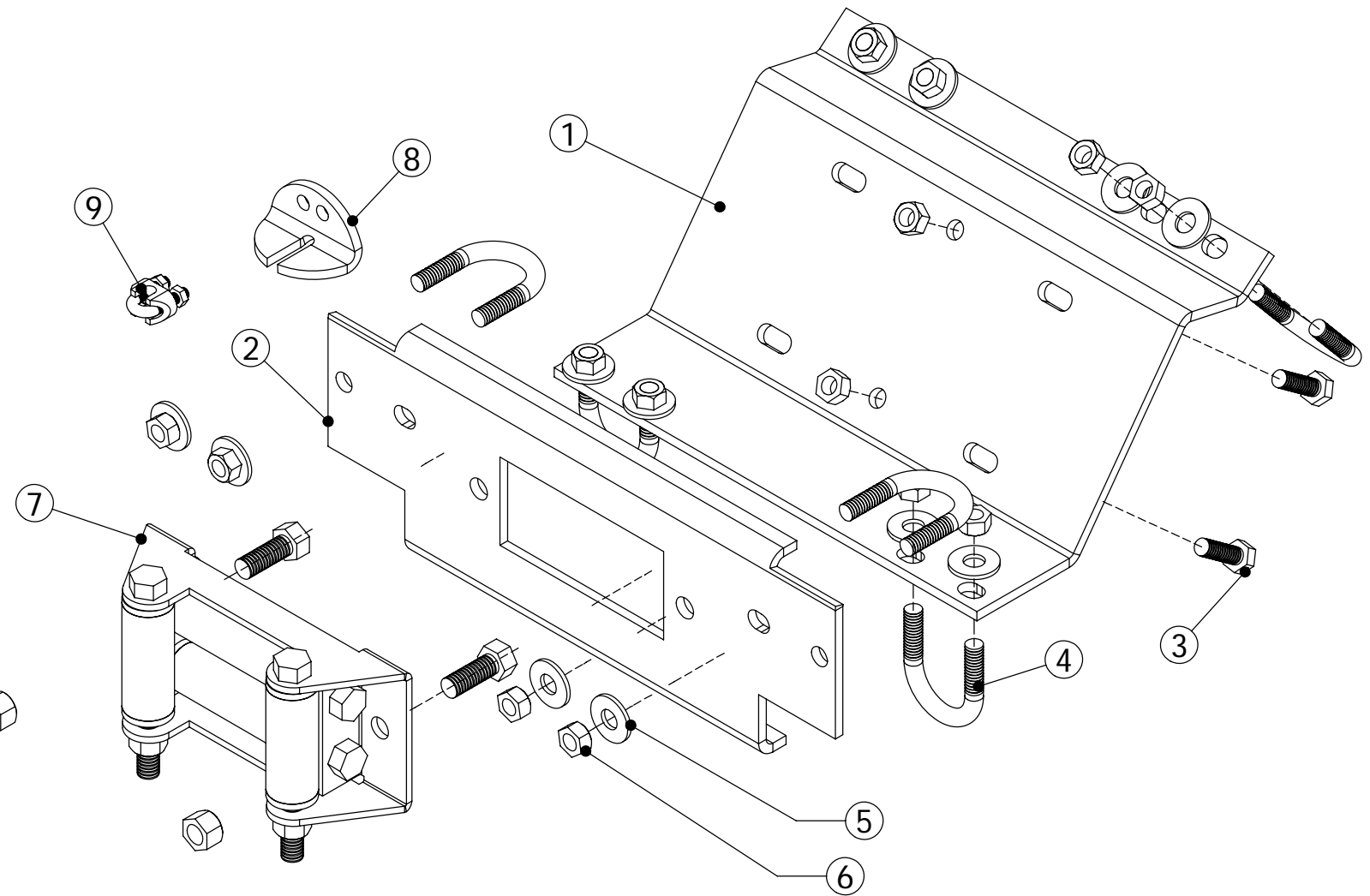
E-MAIL: masterlock@cyclecountry.com

ONE YEAR LIMITED WINCH MOUNT WARRANTY

For the period of one year from the purchase date Master Lock will replace for the original purchaser, free of charge, any part or parts, when found, upon examination by Master Lock, to be defective in material, workmanship, or both.

All transportation cost incurred by the purchaser in submitting the material to Master Lock for replacement under this warranty, must be borne by the purchaser. If Master Lock determines that the product must be returned to the factory for credit please call 1-866-835-0628 for an RMA number and shipping instructions.

The warranty does not apply to parts that have been damaged by accident, alteration, abuse, improper lubrication, normal wear, or other causes beyond Master Lock's control.



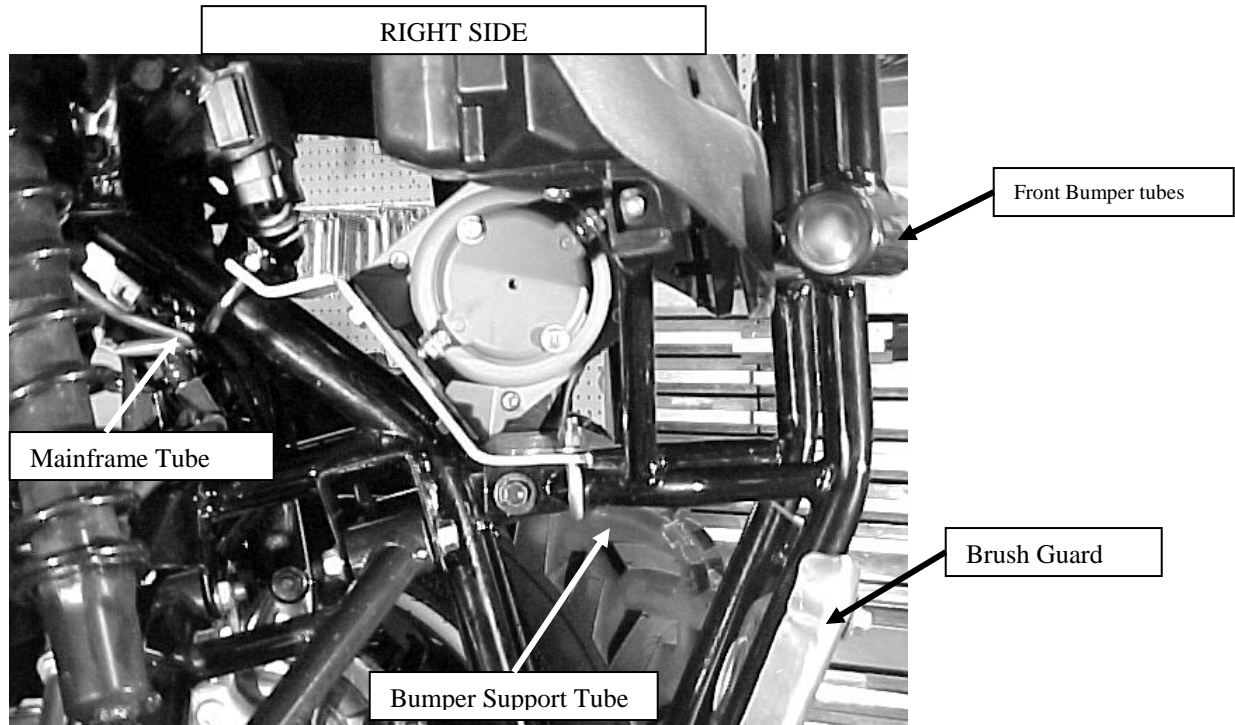
#20-1061 Parts List

ITEM NO.	QTY.	PART NO.	DESCRIPTION
1	1	CYC3617	Winch Mount Plate
2	1	CYC0902	Roller Hawse Mount Plate
3	2	PUR1155	5/16" x 1" Bolt
4	6	PUR1421	5/16" x 1-1/8" x 1-3/4" U-Bolt
5	12	PUR1244	5/16" Flat Washer
6	14	PUR1275	5/16" Nylock Nut
7	1	11044	Roller Hawse Assembly
8	1	CYC0882	Cable Stop
9	1	PUR1606	3/16" Cable Clamp

Refer to the winch manual for winch mounting instructions

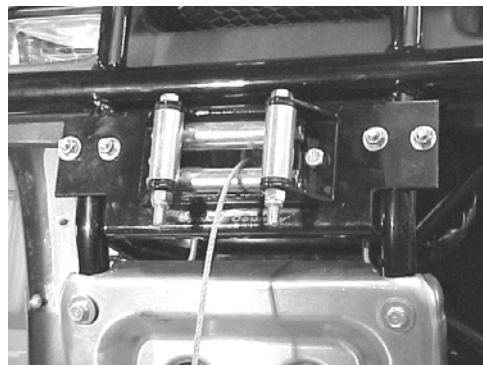
Instructions

1. Carefully slide the Winch and Winch Mount Plate up behind the headlights of the ATV. Set the Winch Mount Plate onto the two Mainframe Tubes and let it slide down until it is on top of the two Bumper Support Tubes and up against the two Body Support Tubes. SEE PICTURE BELOW. Secure the Winch Mount Plate to the ATV using four of the 5/16" x 1 1/8" x 1 3/4" U-Bolts.



2. Attach the roller hawse mount bracket to the two vertical Front Bumper Tubes just above the Front Brush Guard and secure with two 5/16" x 1 1/8" x 1 3/4" U-Bolts.

3. Remove one of the long rollers and feed the winch cable through the roller hawse. Next reinstall the roller. Be sure roller moves freely. Reattach the Roller Hawse to the Roller Hawse Mount Bracket



When using the winch to raise and lower a blade a cable stop must be installed.

Carefully raise the blade until the top of the push tube's are no closer than 1" anywhere on the ATV. Place the Cable Stop onto the Winch Cable up against the Winch Hawse. Secure the Cable Stop to the Winch Cable using the Cable Clamp Assembly as shown in the pictures below.

